



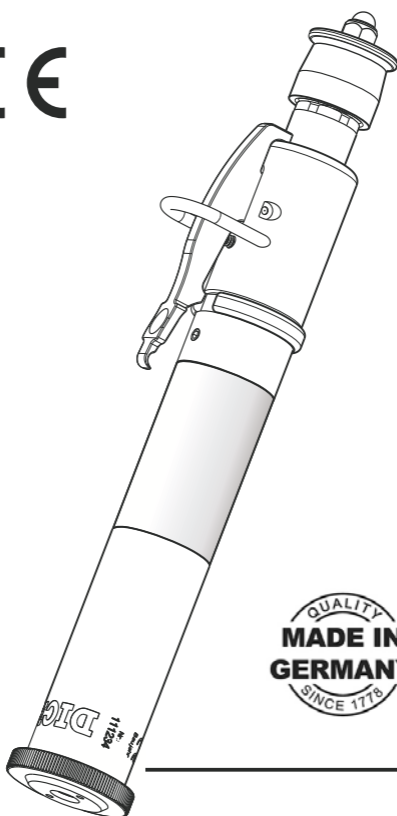
DICK

Traditionsmarke der Profis

Operating Instructions (Translation)



CE



VSG-9LC mod.11

Cattle stunning device

Central fire 9x17

Prod. No.: 9 0235 00

Friedr. Dick GmbH & Co. KG · Postfach 1173 ·
73777 Deizisau · GERMANY ·

Tel.: +49 (0)7153-817-0 · Fax: +49 (0)7153-817-218/-219

Website: www.dick.de · Email: mail@dick.de

1 Safety instructions

These operating instructions are for the DICK cattle stunning device Type VSG-9LC (hereinafter referred to as VSG-9LC) with the serial number engraved on the device.

- The VSG-9LC may only be used for its proper intended use.
- The VSG-9LC may only be used by persons over 18 years of age who hold a certificate of competence according to EU Regulation 1099/2009/EC, who are familiar with the handling, use and accident prevention regulations and are able to recognise hazards that occur when working with the VSG-9LC and can work reliably.
- In addition to the operating instructions, additional local, generally valid, statutory and other regulations and provisions regarding use of the device, accident prevention and environmental protection must be observed!



- While the VSG-9LC is being deployed, the operator and other persons in the immediate vicinity must wear appropriate safety equipment such as ear defenders, safety shoes, safety helmet, safety glasses and working gloves.
- Before each use the VSG-9LC must be checked for damage and functional safety. Do not continue to use a device that is damaged or not fail-safe.
- Only original spare parts should be used.
- The VSG-9LC must be kept in an untensioned condition without an inserted cartridge and, like the cartridges, must be protected against access by unauthorised persons and exposure to moisture and heat.
- The barrel of the VSG-9LC must never be pointed at people or parts of their bodies or at animals that are not intended for stunning or emergency killing.
- The device may only be used as a hand-held device.
- Do not tension the firing pin until immediately before shooting.
- Never hold the VSG-9LC by its muzzle.

- Avoid any uncontrolled shots. A stunning bolt that is fired injudiciously can travel up to 100 metres.
- In the event of a misfire, wait at least 30 s before removing the cartridge. Unignited cartridges must be collected and kept safe until disposal. The owner must ensure that misfiring cartridges are disposed of safely. Cartridges must always be kept in a dry and cool condition in the container in which they were delivered. They must never be carried loose in clothing.
- If the VSG-9LC is used in enclosed rooms the cartridges can cause harmful lead exposure. From 25 shots/hour ventilation measures must be taken to ensure a reliable supply of uncontaminated fresh air or circulating air. Always follow national, generally applicable health & safety regulations!
- Do not use the VSG-9LC in potentially explosive atmospheres.
- The VSG-9LC must be used and maintained according to the operating instructions.
- Keep these operating instructions to hand at all times in the place where the VSG-9LC is used. Read these operating instructions in full before using the VSG-9LC and always follow the instructions precisely!

1.1 Meaning of the warnings

In these operating instructions, a differentiation is made between warnings depending on the hazard:



Danger

Imminent risk to the life and health of people.

- Causes serious injuries or death.



Warning

Possible imminent risk to the life and health of people.

- Could cause serious injuries or death.



Caution

Possibly dangerous situation.

- Could cause minor injuries.



Important

Possible damage to the device.

- Damage to the device can be the consequence.

2 Intended use

The VSG-9LC cattle stunning device has been designed to be used exclusively for butchery and as a replacement device in the cattle slaughter industry and for emergency animal killings. Only use cattle stunning central-fire cartridges, calibre 9 x17.

Proper intended use also includes observing the operating instructions. Any other or additional use is deemed to be not as intended and therefore misuse. Friedr. Dick GmbH & Co. KG is not liable for any resulting losses or damage whatsoever. The risk is borne solely by the user. Stunning animals whose weight when alive is < 25 kg or > 1000 kg and use of the VSG-9LC to punch, stamp, form or drive in objects into any materials whatsoever is not permitted.

Only original spare parts from Friedr. Dick GmbH & Co. KG may be used.

3 Technical data

Dimensions: Ø50 x 75 x 315 mm,
Weight: 2.2 kg Bolt cross-section ø12 mm,
stroke length is 70 mm – the stroke length can differ depending on the resistance.

Maximum shot frequency: 20 shots/hour.

Sound emissions at the workplace to EN ISO 11201:2010 using the equivalent continuous A-weighted method:

Sound pressure level L_{pAeq} : 78.0 dB(A),

Sound power level $L_{Wa, 1s}$: 109.2 dB(A),

Peak sound pressure level $L_{pC, peak}$: 135.8 dB(C)

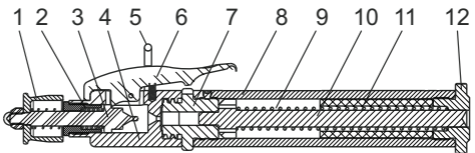
Uncertainty K: 3 dB.

Vibration emission value at the handle to EN 1206:1997: Measured vibration value a_{hwz} : 17.6 m/s^2 , Uncertainty K: 7 m/s^2 .

Values determined to EN ISO 20643:2008 with an interpolation time of 3 s using the equivalent continuous A-weighted method with red cartridges, brand: Dynamit Nobel.

Allowable daily exposure values (number of shots) to EC Vibration Directive 2002/44/EC: Action value 193, Limit value 775.

4 Device overview



1 Tensioning grip	7 Cartridge chamber
2 Spring of firing pin	8 Sleeve
3 Firing pin	9 Spring of stunning bolt
4 Headpiece	10 Bolt
5 Safety bow	11 Absorption element
6 Trigger lever	12 Locking piece

5 How it works

- The locking piece **[12]** of the VSG-9LC is placed on the shot point on the animal (see Chapter 5.1).
- When the trigger lever **[6]** is actuated the tensioned firing pin **[3]** is released, which ignites the inserted cartridge **[7]**.
- The gas pressure in the ignited cartridge drives the stunning bolt **[10]** out of the locking piece **[12]**. The stunning bolt penetrates the skullcap.

- The cattle for slaughter is stunned.
- The stunning bolt spring pulls the stunning bolt back.

5.1 Shot point

For effective use of the VSG-9LC, firmly position on the head in the correct direction at the animal-specific shot point.

Follow the instructions below!



Shot point of beef cattle and horses:
2 cm (thumb width) above the diagonals
formed between the eyes and ears.

Shot direction: at right angles to the skullcap.



Shot point for pigs with steep forehead: 2-3
cm above the connecting line of the eyes.
Shot direction: at right angles to the skullcap.

Shot point for pigs with wedge-shaped head:
1 cm above the connecting line of the eyes.
Shot direction: Beginning of the ear.



Shot point for horned sheep and goats:
directly behind the base of the horn.

Shot direction: Lower jaw angle.

Shot point for non-horned sheep:
Between the ears.

Shot direction: Throat.

6 Starting up/handling

6.1 Securing the device

The trigger lever [6] is designed to prevent the device from triggering when it is untensioned and unlocked. The lever also protects against premature triggering on clamping the firing pin [3], if the operator should let the tensioning grip [1] slip out of their fingers during this process.

The trigger lever [6] has a safety bow [5] to protect against accidental triggering due to impact.

A shot can only be fired if the headpiece [4] is fully screwed on.

6.2 Cartridges

The VSG-9LC may only be operated with type tested and CE marked cattle stunning cartridges calibre 9 x17. The charge strength given for the respective size of the animal to be slaughtered must be used. The charge strengths of the cartridge refer to the cartridges made by RUAG, Type RWS:

Colour	Charge strength	Classifications
Green	2 (weak) 600 ±100 joule	Sheep and goats, calves, pigs
Yellow	3 (medium) 700 ±100 joule	Old sheep, calves, horses, pigs
Blue	4 (strong) 850 ±100 joule	Cows, oxen, bulls, pigs
Red	5 (extremely strong) 1050 ±100 joule	Cows, oxen, bulls, old boars, sows

The classification of the charge strengths can differ for different cartridge makes. If the performance is too low, check the function and if necessary use the next higher charge strength. Always follow the instructions and regulations regarding storage, use, transport and disposal given on the cartridge packaging or enclosed instructions and in the safety data sheet of the cartridge manufacturer. Suitable cartridges are available from your local specialist dealer.

6.3 Load, tension and shoot



Warning

A tensioned and loaded device can release the shot inadvertently.

- Do not load and tension the device until immediately before shooting.
 - After you have loaded and tightened the device, do not put it down until it has been fired.
 - Do not hold the device by its muzzle **[12]**.
 - After tensioning, never grip the device between the tensioning grip **[1]** and headpiece **[4]**.
 - After tensioning, avoid the space in front of the locking piece and behind the tensioning grip.
-



Appropriate personal protective equipment should be worn when working with the unit!

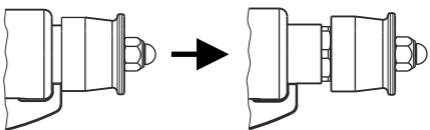


Load the device:

1. Unscrew the headpiece **[4]** from the cartridge chamber **[7]**.
2. Place the cartridge in the cartridge chamber.
3. Screw the headpiece back on.

The VSG-9LC is loaded.

Tensioning the device:



1. Grip around the roughened part of the device's sleeve with one hand.
2. Use your other hand to pull the tensioning grip **[1]** out of the device until the trigger firing pin **[3]** latches into position automatically.

The VSG-9LC is now ready for use.

Shooting with the device:

1. For the shot, one hand is gripped around the roughened part of the sleeve. The other hand grips around the device so that the trigger lever **[6]** can be pressed.
2. The animal's head is still.



Important

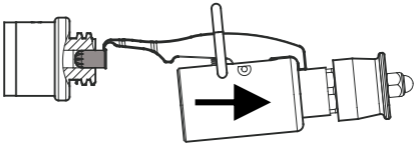
Be prepared for any evasive movements made by the animal.

- There is a risk of personal injury being caused by the animal.
- Execution of the shot becomes uncertain.

3. Place the cattle stunning device in the shot point (see Chapter 5.1). The locking piece **[12]** is positioned fully on the animal's head.
4. Hold the device safely and firmly for the shot. This ensures that none of the stunning energy is lost due to recoil. A practised user can also operate the device with one hand.
5. While aiming the trigger lever is pressed down slowly until the shot fires.
6. Hold the VSG-9LC a right angles to the point of shot. Do not make any lateral movements while shooting. Otherwise, the stunning bolt is not lined up with the skullcap and is retracted by the stunning bolt spring.
7. The animal is now stunned. The killing procedure must take place within 60 s for beef cattle, 15 s for sheep and goats and 20 s for other animals.

6.4 Removing the cartridge sleeve

The device must be untensioned.



1. Twist off the headpiece [4] immediately after the shot.
2. Remove the cartridge from the cartridge chamber [7].
To do this, use the puller at the end of the trigger lever [6].
3. Insert the puller in the groove of the cartridge chamber.
4. Remove the cartridge with the puller from the cartridge chamber.

7 Cleaning and maintenance



Danger

If the device is loaded and tensioned the shot can fire inadvertently.

- Always clean and maintain the device when it is unloaded and untensioned.



Warning

Do not carry out any maintenance work on the device while it is still hot.



- After using the VSG-9LC, put it to one side and allow it to cool off.

Inadequate cleaning and poor maintenance reduce the shot capacity, result in premature wear and worsen hygiene.

7.1 Cleaning

Careful cleaning is extremely important for hygiene and the device's functional safety

- Clean the cartridge chamber [7] regularly to remove residues of the powder charges.

After each day's use, remove the

- residues of the powder charges in the explosion chamber
- blood and brain matter residues on the stunning bolt **[10]**.

Clean the device:

1. Twist off headpiece **[4]**.
2. Twist off locking piece **[12]**.
3. Remove the stunning bolt **[10]** with the stunning bolt spring **[9]** and absorption element **[11]**.
4. Clean the inner wall of the cartridge chamber **[7]** using the cleaning brush supplied with the device.
5. Clean the stunning bolt, stunning bolt spring and absorption element with oil or grease.
6. Clean the inner wall of the sleeve **[8]** using the cleaning brush and some oil.
7. Before reassembling the VSG-9LC, carry out a visual inspection in particular for any damage such as cracks, distortion or breakages in the stunning bolts. Send any damaged devices back for repair.
8. Re-assemble the device in the reverse order.

Keep the outside of the device clean at all times.

If the device is not used for more than 5 days, lightly grease the whole device with gun oil or sewing machine oil. Use acid-free oil and gas only (e.g. Ballistol oil).

After cleaning, use a vacuum to remove cleaning residues from the cleaning tool, work clothing and work area. Wash thoroughly all parts of the body that came into contact with the cleaning residues.

7.2 Maintenance

The stunning bolt spring [9] and the absorption element [11] are wearing parts. The wear limit is reached when the stunning bolt spring no longer pulls the stunning bolt [4] completely into the locking piece [12].

- Before using the VSG-9LC further, replace the stunning bolt spring and the absorption element.

8 Product liability/Guarantee

The devices are sold with a 12 month guarantee for the owner, starting from the day of delivery (verification by means of invoice). Friedr. Dick GmbH & Co. KG is not liable for defects or damage caused by incorrect assembly or improper putting into use, unsuitable or improper use or use that is not according to the operating instructions, changes or repairs which are not listed in the operating instructions and are made without the written approval of Friedr. Dick GmbH & Co. KG, use of third party spare and wearing parts or third party accessories, overloading or improper handling as well as usual wear and tear. The spring, bolt and damping element (wearing parts) are excluded from the guarantee.

To maintain the guarantee, please keep the receipt and send the original copy to us together with your written complaint.

Please only use the transport packaging provided by us to return the device; which means it must be kept.

The guarantee is solely valid for the rectification of material and production defects. We choose whether defective parts are repaired free of charge by our service department or are replaced with brand-new parts.

Further claims arise only in the event of refused, failed or unacceptable supplementary performance in accordance with our General Terms and Conditions of Sale, Delivery and Payment. For further details of the guarantee, please refer to our General Terms and Conditions of Sale, Delivery and Payment.

The information in these operating instructions can be changed without prior announcement. Complete or partial reproduction of these operating instructions and their translation into another language is not permitted without the prior written consent of Friedr. Dick GmbH & Co. KG. Subject to change without notice.

The operating instructions constitute part of the product and must remain with the device.

9 Inspection specifications

In order to ensure the operational safety of the device, you must send the VSG-9LC to your specialist dealer or to the Friedr. Dick GmbH & Co. KG Company every 2 years for checking or immediately, in the case of any significant malfunctions. This period starts from the date the device is delivered to the owner.

Keep the proof of purchase and the retest certificate in a safe place.

10 Malfunctions

Error	Cause	Remedy
Firing mechanism does not work	Firing pin [3] deformed	Send the device to the DICK service station for checking without delay.
The trigger lever [6] can no longer be actuated.	Release mechanism is defective or trigger lever is deformed.	Send the device to the DICK service station for checking without delay.
Headpiece [4] is difficult to twist off the cartridge chamber [7] .	Thread is dirty. Thread is deformed.	Clean and oil the thread [4] [8] . Send the device to the DICK service station for checking without delay.
The locking piece [12] is difficult to twist off the sleeve [8] .	Thread is dirty. Thread is damaged.	Clean and oil the thread. Send the device to the DICK service station for checking without delay.
Stunning bolt protrudes out of the muzzle of the locking piece [12] .	Wear to the stunning bolt spring [9] + absorption element [11]	Replace the stunning bolt spring [9] and the absorption element [9] .
	Stunning bolt [3] damaged / deformed	Replace the stunning bolt [3] .
Other faults not listed may only be corrected by a specialist dealer or the DICK service station.		

11 Spare parts



Caution

Risk of accidents due to wrong spare parts

Using parts not matched to the device constitutes an unassessable risk.

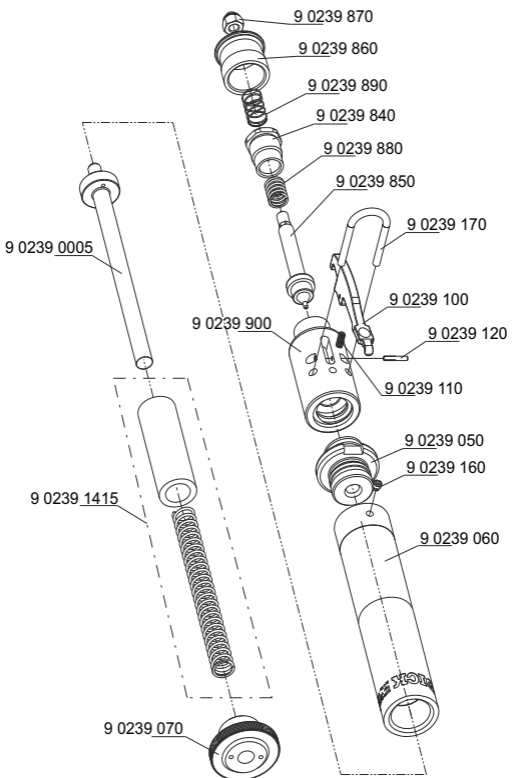
- Use DICK original spare parts only.



Warning

Risk of accidents due to incorrect installation of spare parts

Parts in the spare parts list not marked with an asterisk (*) are to be replaced by a specialist dealer or DICK service station only.



Order No.	Quantity	Name
9 0239 050	1 piece	Cartridge chamber
9 0239 060	1 piece	Sleeve
9 0239 070	1 piece	Locking piece *
9 0239 0005	1 piece	Bolt *
9 0239 100	1 piece	Trigger lever
9 0239 110	1 piece	Spring of trigger lever
9 0239 120	1 piece	Split taper pin
9 0239 1415	1 set	Absorption element + spring of stunning bolt *
9 0239 160	1 piece	Threaded pin
9 0239 170	1 piece	Safety bow of trigger lever
9 0239 840	1 piece	Nut of headpiece
9 0239 850	1 piece	Firing pin
9 0239 860	1 piece	Tensioning grip
9 0239 870	1 piece	Locknut
9 0239 880	1 piece	Spring of firing pin
9 0239 890	1 piece	Spring of tension grip
9 0239 900	1 piece	Headpiece
9 0239 3644	1 piece	Operating instructions *
9 0239 250	1 set	Cleaning brush set *

* Part may be replaced by the user.

Please send your order for spare parts to your specialist dealer.

You will find your specialist dealer at www.fDick.com/dealer



12 Environmental Protection



Waste equipment, replacement parts and packaging are made of valuable, recyclable materials. Please dispose of them in an environmentally friendly way using the corresponding suitable collection systems.

13 EC Declaration of Conformity

Manufacturer

Friedr. Dick GmbH & Co. KG,
Esslinger Str. 4-10,
73779 Deizisau,
Germany

We herewith declare, in sole responsibility, that the following product: DICK cattle stunning device, Type VSG-9LC, with the serial number engraved on the device, conforms to the listed EC Directives:

- EC Machinery Directive (2006/42/EC)

European standards applied:

- DIN EN ISO 12100:2010.

EG type test:

National Meteorology Institute (PTB)
(NB 0102),
Certificate DE-11-MARLIV18-PTB05.

The authorised representative responsible for compiling the technical documentation (technical file) at Friedr. Dick GmbH & Co. KG is Mr Steffen Uebele, Managing Director.





