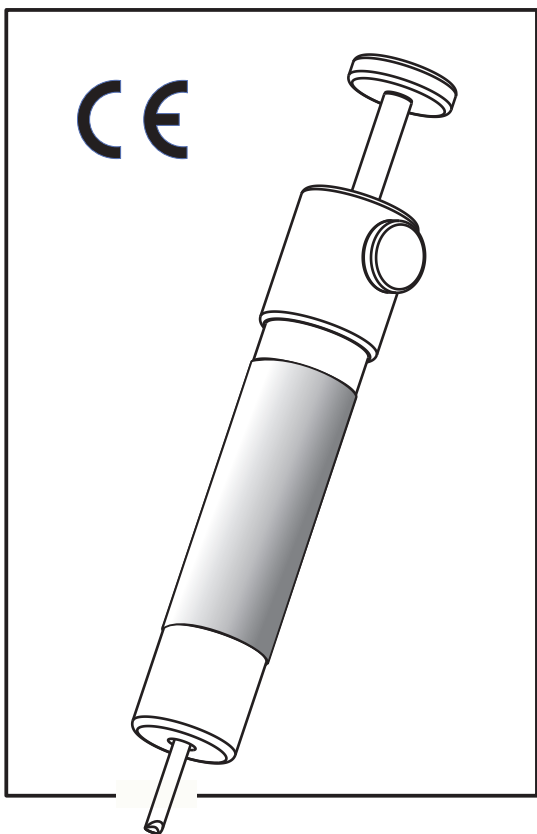




# DICK

Traditionsmarke der Profis

Operating instructions (translation)



## KTBG mod 11

**Stunning Device for Small Animals**

Prod. No.: 9 0232 000

Friedr. Dick GmbH & Co. KG · Postfach 1173 ·  
73777 Deizisau · GERMANY ·

Tel.: +49 (0)7153-817-0 · Fax: +49 (0)7153-817-218/-219

· Web: [www.dick.de](http://www.dick.de) · Email: [mail@dick.de](mailto:mail@dick.de)

## 1 Safety instructions

These operating instructions are for the DICK stunning device for small animals, type KTBG (hereinafter called KTBG).

- The KTBG may only be used for its proper intended use.
- The KTBG may only be used by persons with a certificate of competence according to EU Regulation 1099/2009/EC and who are familiar with the handling, use and accident prevention regulations and are able to recognise hazards that occur when working with the KTBG and can work reliably.
- In addition to the operating instructions, additional local, generally valid, statutory and other regulations and provisions regarding use of the device, accident prevention and environmental protection must be observed!
- Before each use the KTBG must be checked for damage and functional safety. Do not continue to use a device that is damaged or not fail-safe.
- In untensioned condition the KTBG must be kept protected against access by unauthorised persons, moisture and heat.
- The barrel of the KTBG must never be pointed at people or parts of their bodies or animals which are not intended for slaughter.
- Do not tension the bolt until immediately before shooting.
- Never hold the KTBG by its muzzle.
- The KTBG must be used and maintained according to the operating instructions.
- Keep these operating instructions to hand at all times in the place in which the KTBG is used. Read these operating instructions in full before using the KTBG and always follow the instructions precisely!

## 1.1 Meaning of the warnings

In these operating instructions, a differentiation is made between warnings depending on the hazard:

---



### **Danger**

**Imminent risk to life and health of people.**

- Causes serious injuries or death.
- 



### **Warning**

**Possible imminent risk to life and health of people.**

- Could cause serious injuries or death.
- 



### **Caution**

**Possible dangerous situation.**

- Could cause minor injuries.
- 



### **Important**

**Possible damage to the device.**

- Damage to the device can be the consequence.
- 

## 2 Intended use

The stunning device for small animals (KTBG) is solely designed for stunning during the slaughter and emergency killing of small rodents up to 5 kg and fattened poultry (chickens, ducks and turkeys) up to a weight of approx. 16 kg.

The device is designed for < 100 shots per year.

Proper intended use also includes observing the operating instructions.

The KTBG is not suitable for stunning geese and ratites or larger mammals (e.g. lambs or piglets).

Any other or additional use is deemed to be not as intended and therefore misuse.

Friedr. Dick GmbH & Co. KG is not liable for any resulting losses or damage whatsoever. The risk is borne solely by the user.

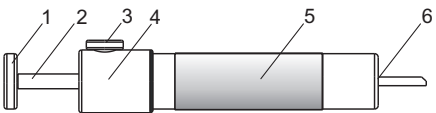
---

Stunning any animals other than those named or using the device to punch, stamp, form or drive in objects into any materials is not permitted. Successful use of the KTBG requires correct handling and an intact device. Only original spare parts from Friedr. Dick GmbH & Co. KG may be used.

### 3 Technical data

Dimensions: Ø34 x 40 x 230 mm;  
Weight: 0.4 kg; Bolt diameter 4.7 mm, Exit length 25 mm, Stunning energy: 6.7 joule;  
A-weighted emission sound pressure level at a work station according to EN ISO 11201:2010 on damped surface:  
L<sub>pA, 1m, max</sub>: 75 dB, uncertainty K<sub>pA</sub>: 3 dB.

### 4 Device overview



- |                  |               |
|------------------|---------------|
| 1 Disc           | 4 Headpiece   |
| 2 Bolt           | 5 Handle area |
| 3 Trigger button | 6 Muzzle      |

### 5 How it works

- Pulling the bolt [2] at the disc [1] up to the latching point tensions the spring.
- When the trigger button [3] is pressed the bolt is accelerated by the spring force, it passes through the muzzle out of the device and penetrates the skull of the animal for slaughter.
- The shot stuns the animal.

## 6 Tension (cock) the device and shoot

---

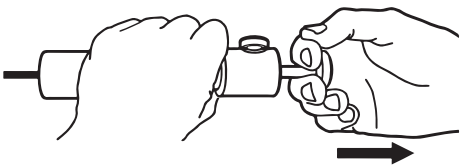


### Warning

**A tensioned device can release the shot spontaneously.**

- Do not tension the device until immediately/ directly before shooting.
  - Do not hold the device in the muzzle area [6].
  - After tensioning the device, never grip it between the disc [1] and headpiece [4].
- 

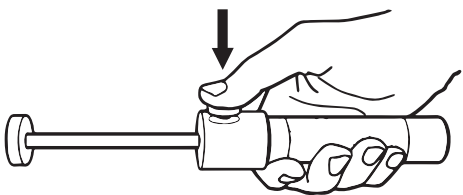
### Tensioning the device:



1. Clasp the device firmly with one hand in the handle area [5].
2. Use your other hand to pull the disc [1] on the bolt [2] outwards until the trigger button [3] latches into position automatically.

The KTBG is now ready for use.

### Shooting with the device:



1. Hold the device in one hand so that your thumb can press the trigger button [3].
2. Restrain the head of the animal with moderate force. Calm down the animal.
  - For example, use a killing cone or press the animal onto a firm surface. The head of the animal must not be able to move when the shot is fired.

### 3. Position the device for the shot.



- Position the device with the muzzle **[6]** on the top of the animal's head in the middle or between both ears (middle of the brain).
  - The device must be positioned at right-angles and in the middle for the shot with pressure.
  - The whole muzzle area of the sleeve must rest on the animal's head **[6]**.
- The animal's head must be still.
  - Hold the device safely and firmly for the shot.
4. Press the trigger button **[3]**.
  5. The animal is now stunned. The killing process must follow within 20s.

## 7 Cleaning and maintenance

---



### Warning

**If the device is tensioned, the bolt can be released and cause injuries.**

- Always clean and maintain the device when it is untensioned.
- 

Inadequate cleaning and poor maintenance reduce the shot capacity, result in premature wear and worsen hygiene.

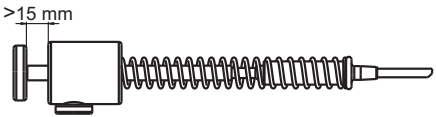
### Cleaning

Clean the device after each use.

1. Unscrew/dismantle the device.
  2. Clean the device carefully on the outside and inside with a damp cloth or brush.
  3. Then leave the device to dry.
  4. Wet the movable parts with an acid-free oil or grease, e.g. Ballistol oil, sewing machine oil.
  5. Screw the device back together.
-

## Maintenance

- Check the spring regularly. The wear limit is reached if, when open, the distance from the washer and headpiece is  $>15$  mm.



As soon as the spring has become shorter or the stunning result is no longer sufficient, the spring must be replaced.

## 8 Product liability/Guarantee

The devices are sold with a 12 month guarantee for the owner, starting from the day of delivery (verification by means of invoice). Friedr. Dick GmbH & Co. KG is not liable for defects or damage caused by incorrect assembly or improper putting into use, unsuitable or improper use or use that is not according to the operating instructions, changes or repairs which are not listed in the operating instructions and are made without the written approval of Friedr. Dick GmbH & Co. KG, use of third party spare and wearing parts or third party accessories, overloading or improper handling as well as usual wear and tear. The spring, bolt and damping element (wearing parts) are excluded from the guarantee.

To maintain the guarantee, please keep the receipt and send the original copy to us together with your written complaint. Please only use the transport packaging provided by us to return the device; which means it must be kept.

The guarantee is solely valid for the improvement of material and production defects. We choose whether defective parts are repaired free of charge by our service department or are replaced with brand-new parts. Further claims arise only in the event of refused, failed or unacceptable supplementary performance in accordance with our General Terms and Conditions of Sale, Delivery and Payment. For further details of the guarantee, please refer to our General Terms and Conditions of Sale, Delivery and Payment.

The information in these operating instructions can be changed without prior announcement. Complete or partial reproduction of these operating instructions and their translation into another language is not permitted without the prior written consent of Friedr. Dick GmbH & Co. KG.

Subject to change without notice.

## 9 Malfunctions

<b>Error</b>	<b>Cause</b>	<b>Remedy</b>
Force of the shot bolt diminishes.	Spring is defective or worn.	Replace the headpiece.
Bolt can no longer be cocked, or only by exerting a very large force.	Bolt is deformed.	Replace the headpiece.
Threaded connection between the headpiece and sleeve loosens, is tightened again for the shot.	O-ring is worn.	Replace O-ring.
Trigger button no longer latches on tensioning.	Return spring or trigger button is defective.	Replace the headpiece.



## 10 Spare Parts

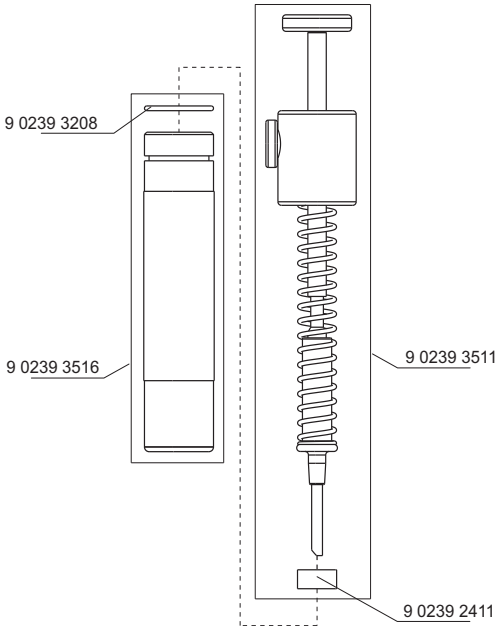


### Attention

#### Risk of accidents due to wrong spare parts

Using parts which are not matched with the device constitutes an unassessable risk.

- Use DICK original spare parts only.



Order No.	Quantity	Name
9 0239 2411	1 piece	Absorption element
9 0239 3208	1 piece	O-ring
9 0239 3511	1 assembly	Complete headpiece incl. bolt (2454) and spring (2412)
9 0239 3516	1 set	Sleeve incl. O-ring

Please send your order for spare parts to your specialist dealer or to:

Friedr. Dick GmbH & Co. KG  
Postfach 1173  
73777 Deizisau  
Germany

Tel: (+49) (0)7153 817-0  
Fax: (+49) (0)7153 817-218 or -219  
Email: mail@dick.de  
Web: www.dick.de

## 11 Environmental protection



Waste equipment, replacement parts and packaging are made of valuable, recyclable materials. Please dispose of them in an environmentally friendly way by using the corresponding suitable collection systems.

## 12 EC Declaration of Conformity

Manufacturer  
Friedr. Dick GmbH & Co. KG,  
Esslinger Str. 4-10,  
73779 Deizisau,  
Germany

We herewith declare, in sole responsibility, that the following product:

Stunning device for small animals, Type KTBG conforms to the listed EC Directives:

- EC Machinery Directive (2006/42/EC)

European standards applied:

- EN ISO 12100:2010.

The authorised representative responsible for compiling the technical documentation (technical file) at Friedr. Dick GmbH & Co. KG is Mr Wilhelm Leuze.